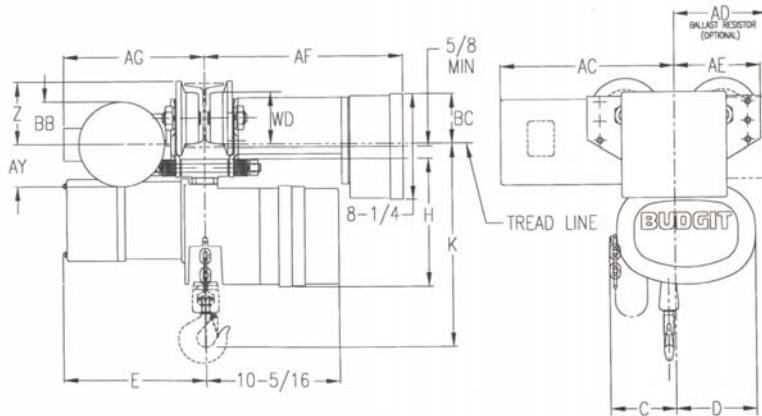


# BUDGIT LUG HOISTS WITH MOTOR-DRIVEN TROLLEY

## ONE & TWO SPEED HOISTS



1/4 - 1 Ton & 2 Ton Trolley



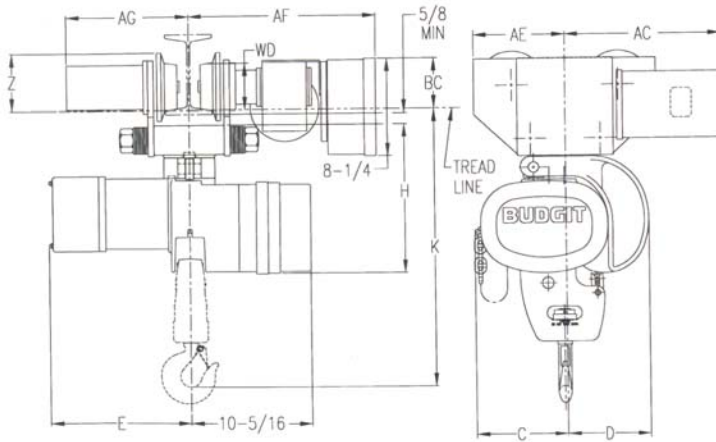
## CATALOG NUMBERS, SPECIFICATIONS & DIMENSIONS

Capacity (tons)	Lift Speed (fpm)	Motor H.P.	Electric Current Phase	Parts of Chain	Hoist Catalog Number	Net Wt. (lbs)	C (in)	D (in)	E		H (in)	K (in)	Z (in)
									One Speed (in)	Two Speed (in)			
1/4	16	1/4	SINGLE	1	BEH2516	164	5 1/8	6 5/16	10 7/8	-	6 15/16	15 3/8	4 7/8
			THREE						11	-			
	32	1/2	SINGLE						11 3/8	-			
			THREE	BEH2564	163			11	11 1/2				
			-			11	-						
	64	1	THREE			11	12 1/16						
1/2	16	1/2	SINGLE	1	BEH5016	167	5 1/8	6 5/16	11 3/8	-	9 15/16	15 3/8	4 7/8
			THREE						11	11 1/2			
	32	1	SINGLE						21 1/8	-			
			THREE	BEH5032	168			11 1/2	12 1/16				
			-				-						
	8	1/2	SINGLE			1	BEH0108	175	5 1/8	6 5/16	11 3/8	-	
			THREE	11	11 1/2								
1	16	1	SINGLE	21 1/8	-								
			THREE	BEH0116	176			11 1/2	12 1/16				
			-				-						
	32	2 1/2	THREE			12	14						
2	4	1/2	SINGLE	2	BEH0204	210	6 7/16	4 7/8	11 3/8	-	10 11/16	20 1/16	4 7/8
			THREE						11	-			
	8	1	SINGLE						12 1/8	-			
			THREE	BEH0208	211			11 1/2	12 1/16				
			-				-						
	16	2 1/2	THREE			12	14						
3	5	1	SINGLE	3	BEH0305	296	7 3/4	7 3/8	12 1/8	-	12 7/8	24 1/2	4 7/8
			THREE						11 1/2	12 1/16			
	10	2 1/2	-							-			
			THREE	BEH0310	306			12	14				

\* Two speed hoist has a 1/2 H.P. motor

# BUDGIT<sup>®</sup> LUG HOISTS WITH MOTOR-DRIVEN TROLLEY

## ONE & TWO SPEED HOISTS



**3 Ton Trolley**

## CATALOG NUMBERS, SPECIFICATIONS & DIMENSIONS

AC (in)	AE (in)	AD (in)	AF Max. (in)	AG Max. (in)	AY (in)	BB Max. (in)	BC (in)	WD (in)	Min. Radius (ft)	Std. Flange Width Adj. (in)
12	6 7/8	8 3/16	16 7/8	12 1/2	2 9/16	3 1/8	1 13/16	4	3	3 - 5
12	6 7/8	8 3/16	16 7/8	12 1/2	2 6/16	3 1/8	1 13/16	4	3	3 - 5
12	6 7/8	8 3/16	16 7/8	12 1/2	2 9/16	3 1/8	1 13/16	4	3	3 - 5
12	7 9/16	8 3/16	16 7/8	12 1/2	1 15/16	2 1/16	2 7/16	4	4	3 5/8 - 6
13 1/2	7 13/16	8 3/16	16 13/16	5 7/8	-	-	2 1/8	4	4	4 - 6 1/4