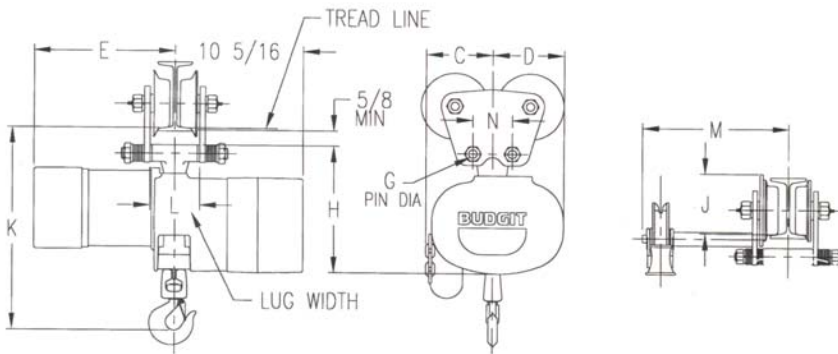


# BUDGIT. HOOK & LUG MOUNTED HOISTS

## HOOK & LUG MOUNTED HOISTS WITH PUSH AND HAND-GEARED TROLLEYS

One and Two Speed Hoists



Lug Mounted

## CATALOG NUMBERS, SPECIFICATIONS & DIMENSIONS (Push and hand-gearred trolleys)

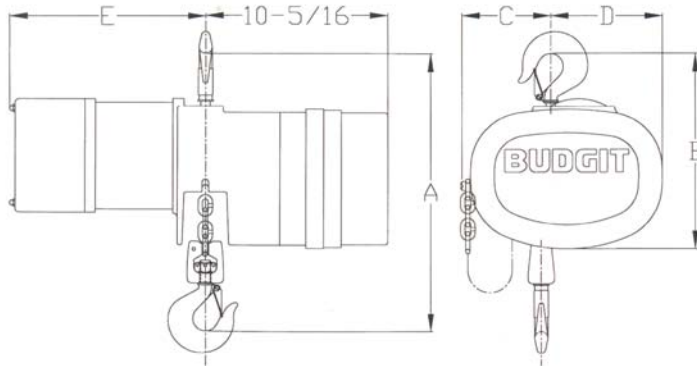
Capacity (tons)	Lift Speed (fpm)	Motor H.P.	Electric Current Phase	Parts of Chain	Hoist Catalog Number	Net Wt. (lbs)	Dimensions			
							A (in)	B (in)	C (in)	D (in)
1/4	16	1/4*	Single Three	1	BEH2516	79	15 3/4	11 1/16	5 1/8	6 5/16
	32	1/2	Single Three		BEH2532	82				
	64	1	- Three		BEH2564	78				
1/2	16	1/2	Single Three	1	BEH5016	82	15 3/4	11 1/16	5 1/8	6 5/16
	32	1	Single Three		BEH5032	83				
1	8	1/2	Single Three	1	BEH0108	90	16 9/16	11 1/16	5 1/8	6 5/16
	16	1	Single Three		BEH0116	91				
	32	2 1/2	- Three		BEH0132	96				
2	4	1/2	Single Three	2	BEH0204	115	22 1/4	12 13/16	6 7/16	4 7/8
	8	1	Single Three		BEH0208	116				
	16	2 1/2	- Three		BEH0216	117				
3	5	1	Single Three	3	BEH0305	156	24	14 3/8	7 3/4	7 3/8
	10	2 1/2	- Three		BEH0310	166				

\* Two speed hoist has a 1/2 H.P. motor

# BUDGIT. HOOK & LUG MOUNTED HOISTS

## HOOK & LUG MOUNTED HOISTS WITH PUSH AND HAND-GEARED TROLLEYS

One and Two Speed Hoists



Hook Mounted



### CATALOG NUMBERS, SPECIFICATIONS & DIMENSIONS (Push and hand-gearred trolleys)

E		G Pin Diameter (in)	H (in)	J Max. (in)	K (in)	L (in)	M (std. flange width) (in)	N (in)
One Speed (in)	Two Speed (in)							
10 7/8	-	5/8	9 15/16	3 5/8	15 3/8	3 5/8	-	3 1/8
11	-							
11 3/8	-							
11	11 1/2							
11	-							
11	12 1/16	5/8	9 15/16	3 5/8	15 3/8	3 5/8	-	3 1/8
11 3/8	-							
11	11 1/2							
12 1/8	-							
11 1/2	12 1/16							
11 3/8	-	5/8	9 15/16	3 5/8	16 5/16	3 5/8	9 3/4	3 1/8
11	11 1/2							
12 1/8	-							
11 1/2	12 1/16							
-	-							
12	14	1	10 11/16	4 3/8	20 1/16	4 3/8	10 1/4	5
11 3/8	-							
11	-							
12 1/8	-							
11 1/2	12 1/16							
-	-	1 1/4	12 7/8	6	24 1/2	6	18 3/8	6
12	14							
12 1/8	-							
11 1/2	12 1/16							
-	-							
12	14							