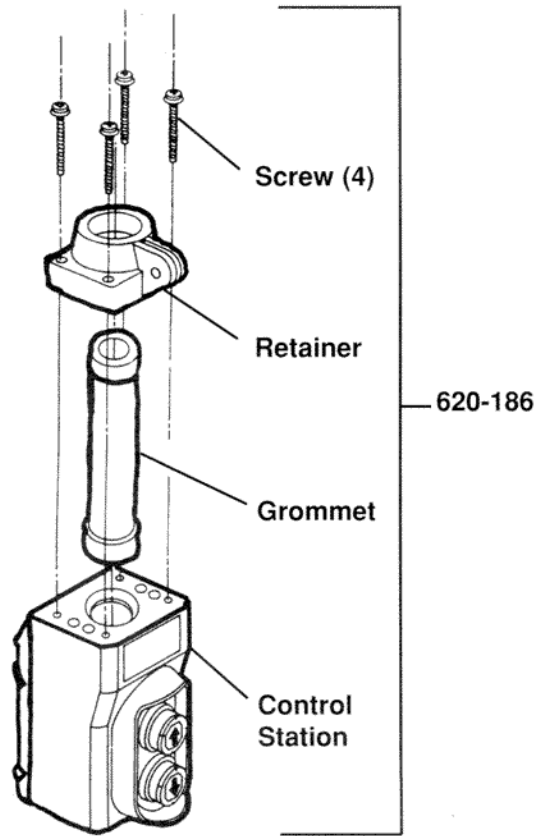


Control Station (Orange)

for use on 115-1-60 hoists without contactor

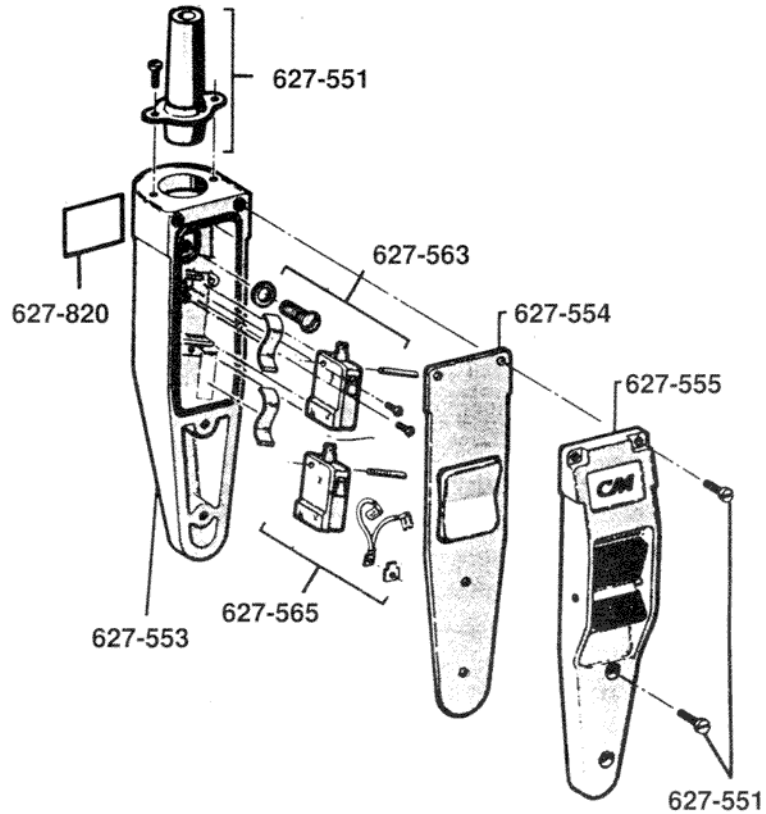
NOTE: Individual components are not available for repairs



KEY NO.	PART NAME	No. REQ'D.	PART NUMBER
620-186	Control station with retainer, screws and grommet	1	24805

Control Station (Black)

for use on 115-1-60 hoists with contactor
220-1 -50/60 and three phase units.



Key No.	Part Name	Number Required	Part Number
627-552	Control Station Consists of: 627-553, 627-554, 627-555 ,627-563, 627-565 and 627-820	1	*28630
627-551	Control Station Kit Consists of: 1-Neoprene Grommet 1-Grommet Retainer Ring 2-Grommet Retainer Ring Attaching Screw 4-Cover Attaching Screw	1	28627
627-553	Case	1	28873
627-554	Gasket	1	28876
627-555	Cover Assembly (Decal & Rocker Included)	1	51477
627-563	Control Station Parts kit Consists of: 1-Strain Relief Attaching Screw 1-Strain Relief Attaching Screw Washer 2-Switch Mounting Pin 2-Pin Retainer Screw 2-Switch Leal Spring	1	51481
627-565	Control Station Switch Kit Consists of: 2-Switch 1-Jumper 1-Terminal 1 -Screw	1	51472
627-820	Warning Label	1	24842

*Also order Control Station Kit Key No. 627-551, Part No. 28627.